

--	--	--	--	--	--	--	--	--	--

Third Semester B.E. Degree Examination, June 2012
Logic Design

Time: 3 hrs.

Max. Marks:100

Note: Answer FIVE full questions, selecting at least TWO questions from each part.

PART – A

1. a. Realize basic gates, using only NOR gates. (06 Marks)
 b. State the DeMorgan's theorems for two variables and prove the same using perfect induction. (06 Marks)
 c. What is HDL? Explain verilog program the structures. (08 Marks)

2. a. Using K-Map technique simplify
 $f(a, b, c, d) = \sum(1, 2, 4, 5, 6, 8, 9, 11, 15) + dc(3, 7, 13)$. (05 Marks)
 b. Using Quine Mc Clusky method simplify,
 $f(w, x, y, z) = \sum(0, 1, 3, 4, 7, 12, 14, 15)$ (10 Marks)
 c. Does circuit in Fig. 2(c), experience hazard? If so, verify the same with timing diagram. (05 Marks)

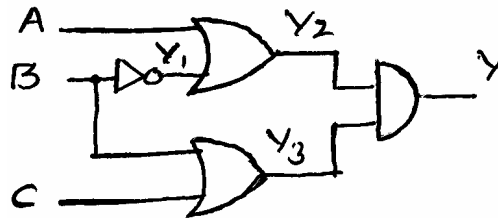


Fig. Q2(c)

3. a. Prove that a 4 : 1 Mux can be realized, using only 2 : 1 multiplexers. (06 Marks)
 b. Using a 3 : 8 decoder realize a full adder. (06 Marks)
 c. Implement the following Boolean functions, using suitable PLA.
 $f_1 = \sum(0, 1, 4, 6), f_2 = \sum(2, 3, 4, 6, 7)$
 $f_3 = \sum(0, 1, 2, 6), f_4 = \sum(2, 3, 5, 6, 7)$. (08 Marks)

4. a. Explain the characteristic of an ideal clock. (04 Marks)
 b. What do you mean by characteristic equation of a flip – flop? Derive characteristic equation for S.R. Flip-Flop. (06 Marks)
 c. Write the state table and state diagram for the circuit shown in Fig. Q4(c). (10 Marks)

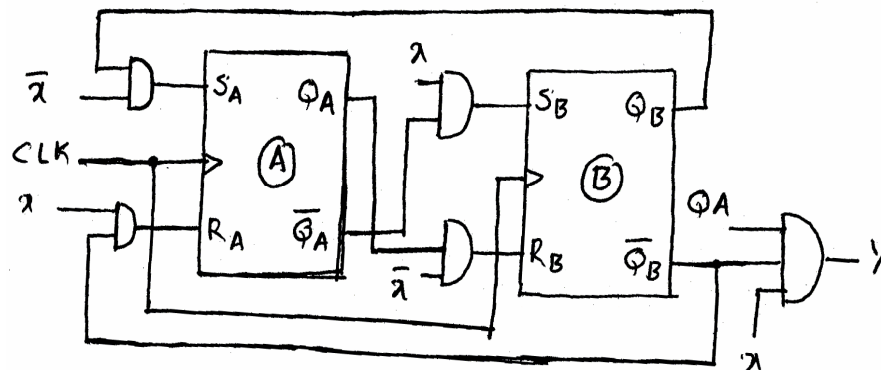


Fig. Q4(c)

Important Note : 1. On completing your answers, compulsorily draw diagonal cross lines on the remaining blank pages.
 2. Any revealing of identification, appeal to evaluator and /or equations written eg. 42+8 = 50, will be treated as malpractice.

PART – B

- 5 a. With neat timing diagram, explain the working of a 4-bit SISO register. (10 Marks)
- b. With neat diagram, explain how 7495 can be connected to function as switched tail counter. (05 Marks)
- c. Write verilog code for Johnson counter. (05 Marks)

- 6 a. Design mod – 12 counter using 7493. (04 Marks)
- b. What do you mean by lockout condition in counters? Using J.K Flip-Flops design self correcting mod-6 counter. (12 Marks)
- c. Bring out the differences between synchronous and asynchronous counters. (04 Marks)

- 7 a. With the aid of neat block diagrams, define Mealy and Moore machines. (06 Marks)
- b. Draw the ASM chart for Mealy machine shown in Fig. Q7(b). (04 Marks)

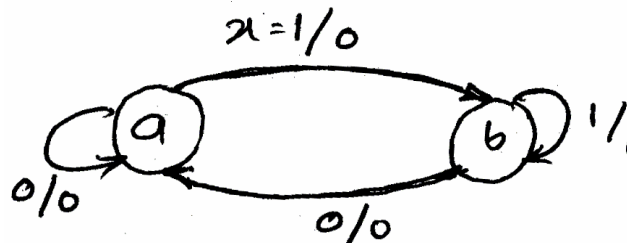


Fig. 7(b)

- c. Reduce the state table in Table Q7(c), using implication table method. (10 Marks)

PS	NS		O/P	
	x = 0	x = 1	x = 0	x = 1
a	h	c	1	0
b	c	d	0	1
c	h	b	0	0
d	f	h	0	0
e	c	f	0	1
f	f	g	0	0
g	g	c	1	0
h	a	c	1	0

Table Q7(c)

- 8 a. With neat circuit diagram, explain the working of R – 2R ladder DAC. (08 Marks)
- b. Explain the working of ADC. (08 Marks)
- c. Calculate conversion time for 10-bit ADC operating at 5MHz clock. (04 Marks)
